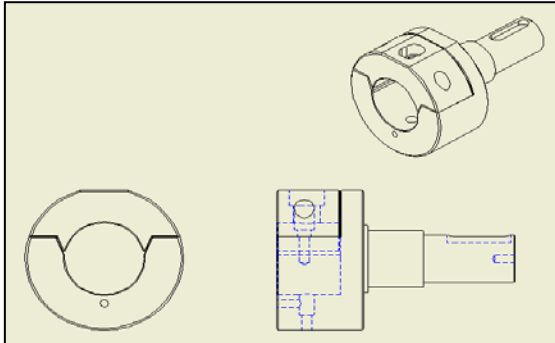


JMT MACHINED PARTS



-MAILANDER, KBA PLANATA, URETHANE, CRABTREE NITRILE

- ✚ JOURNALS (HAYNESWOOD/WAGNER 12/15" AND CRABTREE)
- ✚ DRIVE PINS
- ✚ PIVOT SHAFTS
- ✚ CRABTREE SINGLE SCRAPER BLADES (NEW)
- ✚ CRABTREE BLADE SHARPENING (YOUR EXISTING)
- ✚ NYLON END CHEEKS
- ✚ COATING FILTERS
- ✚ WASH-UP BLADES

FEATURED PRODUCT – HINGED JOURNALS (WAGNER 15")



- CAN BE ORDERED INDIVIDUALLY (DRIVE SIDE / NON-DRIVE SIDE) OR BY THE SET.
- REPLACING A SET OF OLDER JOURNALS CAN ENSURE THAT YOUR ANILOX ROLLS ARE PROPERLY BALANCED ON THE COATER, THEREFORE EXTENDING ANILOX ROLLER LIFE AND PROVIDING MORE RELIABLE FILMWEIGHTS..
- MADE OF HARDENED STEEL
- MAY BE PURCHASED WITH "HINGED" FEATURE WITH CENTER HOLE THAT CONNECTS THE JOURNALS TO THE ROLLER, WHICH CAN ALLEVIATE UNNECESSARY PRESSURE ON THE DRIVE PIN.

PLEASE FEEL FREE TO CONTACT US AT (740) 974-5075 OR AT SALES@TRAVISLTD.COM
FOR A PRICE QUOTE AND LEAD TIMES.